

STUDENT EXCHANGE 2021-2022

INFORMATION SHEET -- Undergraduate Level --

Faculty of Agriculture, Kyoto University

INSTITUTION INFORMATION	
Mailing Address	Student Affairs Office, Faculty of Agriculture, Kyoto University Kitashirakawa Oiwake-cho Sakyo-ku, Kyoto 606-8502, JAPAN
Website	https://www.kais.kyoto-u.ac.jp/english/
E-mail	agri-kyoumu1@mail2.adm.kyoto-u.ac.jp
Fax	+81-75-753-6005

IMPOTANT DATES		
	Fall Entry	Spring Entry
Nomination Deadline	February 15, 2021	September 15, 2022
Application Deadline	February 28, 2021	September 30, 2022
Period of Exchange	Early October - March	Early April - September

ACADEMIC CALENDAR	
To be updated in late March https://www.kais.kyoto-u.ac.jp/japanese/student/academic_cal/	
* The academic year of Kyoto University begins in April and ends in March.	
Fall Semester	October 1, 2021 to March 31, 2022
Spring Semester	April 1, 2022 to September 30, 2022

ELIGIBILITY	
* Each applicant must :	
1) Be currently enrolled at a non-Japanese academic institution with which we have a student exchange agreement. 2) Agree to leave Kyoto University and return to their home institution upon completion of the exchange program. 3) Have excellent academic and personal records. 4) Have a specific purpose for studying in Japan.	

REQUIREMENTS	
Language Proficiency	For those who take courses in Japanese: Japanese Language Proficiency Test Level N1 or an equivalent level For those who take courses in English: TOEFL iBT 79 (or equivalent IELTS score) or higher *It is preferable to have simple conversation skills in Japanese for making life in Japan smoother and easier.
Application Documents	1. Application Form (Form 1) 2. Statement of Purpose (Form 2) 3. Official Request for Acceptance (Form 3-1) 4. Recommendation Letter (Form 3-2) 5. Health Certificate (Form 4) 6. One Certificate of Enrollment 7. One Original Academic Transcript 8. One Passport Copy (the page with your photo, name, and passport number) 9. One Copy of the Official Certificate or Score Report of Japanese or English Proficiency Test 10. Two photos (see "Photo Requirement")
Application Procedure	Nomination: The student's home institution nominates an exchange applicant(s) via email with the following information. - Applicant's name - Applicant's entrance year and end date of enrollment period - Period of exchange Application: Applicants submit the application documents to their home institution. Applicants' home institution sends the application documents to Kyoto University by courier. *It is desirable to send us the application documents via email first before you send them out by courier.

STUDY AT KYOTO UNIVERSITY

International Exchange Student	We accept exchange students from our partner institutions based on the student exchange agreement as "Special Auditor" which is a non-degree seeking status at Kyoto University's Faculty of Agriculture.
Tuitions	Based on the student exchange agreement, students will be exempted from the examination fee, matriculation fee, and tuition at Kyoto University.
Courses Offered	Courses in English offered by the Institute for Liberal Arts and Sciences: http://www.z.k.kyoto-u.ac.jp/introduction/la-english
	Specialized courses offered by the Faculty of Agriculture: almost all courses are offered in Japanese. http://www.kais.kyoto-u.ac.jp/japanese/undergraduate/ http://ocw.kyoto-u.ac.jp/en/syllabuses
Japanese Language Studies	https://www.z.k.kyoto-u.ac.jp/introduction/education-center-for-japanese
Restrictions	<ul style="list-style-type: none"> - Undergraduate students can't take courses offered for graduate students. - Minimum number of courses to take per semester: 7 courses including a maximum of two Japanese language courses. - Maximum credits to earn: 40 credits per year - Permission is required in advance to join seminars, experimental work, etc.

ENTERING JAPAN

Visa and Life in Japan	https://www.kyoto-u.ac.jp/en/education-campus/procedures/visa
Certificate of Eligibility	https://kuiso.oc.kyoto-u.ac.jp/visa/about/en
Immigration Bureau	http://www.immi-moj.go.jp/english/tetuduki/

INSURANCE

Health Insurance (Mandatory)	National Health Insurance: approximately 2,000 yen per month https://kuiso.oc.kyoto-u.ac.jp/life/national/en
Personal Accident Insurance (Mandatory)	Gakkensai: (Premium) 1,000 yen for one year coverage Personal Liability Insurance for Students Pursuing Education and Research Compensation for unexpected accidents during commute, extracurricular activities, and education/research activities at Kyoto University. https://www.kyoto-u.ac.jp/ja/education-campus/campuslife/Insurance/documents/2020pamphlet_fe.pdf
Personal Liability Insurance (Mandatory)	GAKUBAI: (Premium) approximately 2,000 yen for one year (Univ. Co-op Membership fee) 4,000 yen Coverage for the insured party's legal liability for bodily injury or property damage caused to a third party Apply at Kyoto University Co-op. *The membership fee is refundable by taking necessary procedures before leaving Kyoto University. https://www.s-coop.net/new_comer/abroad/
Others	Overseas Travel Insurance: It is desirable to apply for travel insurance in home country in order to ensure adequate coverage. In case of any emergency, we recommend students to bring along sufficient funds. (There was a case that a student had an operation and needed to settle a huge amount of medical fees temporarily.)

ACCOMMODATION

Kyoto University International Houses	https://kuiso.oc.kyoto-u.ac.jp/housing/kuih/en
Private Associated Residence	https://kuiso.oc.kyoto-u.ac.jp/housing/private/en
Other Housing Information	https://kuiso.oc.kyoto-u.ac.jp/housing/info/en

HANDBOOK FOR INTERNATIONAL STUDENTS

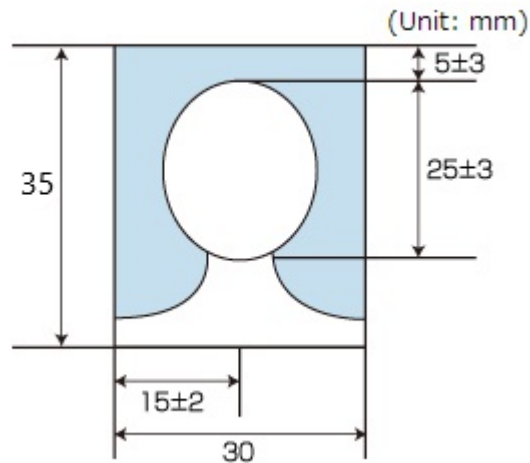
<https://www.kyoto-u.ac.jp/en/about/publications/handbook-for-international-students.html>

NOTE

The Faculty of Agriculture, Kyoto University, accepts exchange students from our partner institutions based on the student exchange agreement. If the contents of the agreement differ from this guide, the agreement shall always take precedence over this guide.

Photo Requirement

You need to submit 2 photos as specified below. Please write your full name on the back of photo.



1. A photo that shows the applicant him/herself alone.
2. A photo of the dimensions specified in the drawing above, excluding the photo's outer border (the dimension of the face refers to the portion from the top of the head [including the hair] to the lower end of the chin).
3. The person should face squarely to the front and remove hats, caps or head coverings.
4. No background or shadows.
5. Must be clear.
6. Must be taken within one month prior to submission.
7. Must be different from the one on your passport.